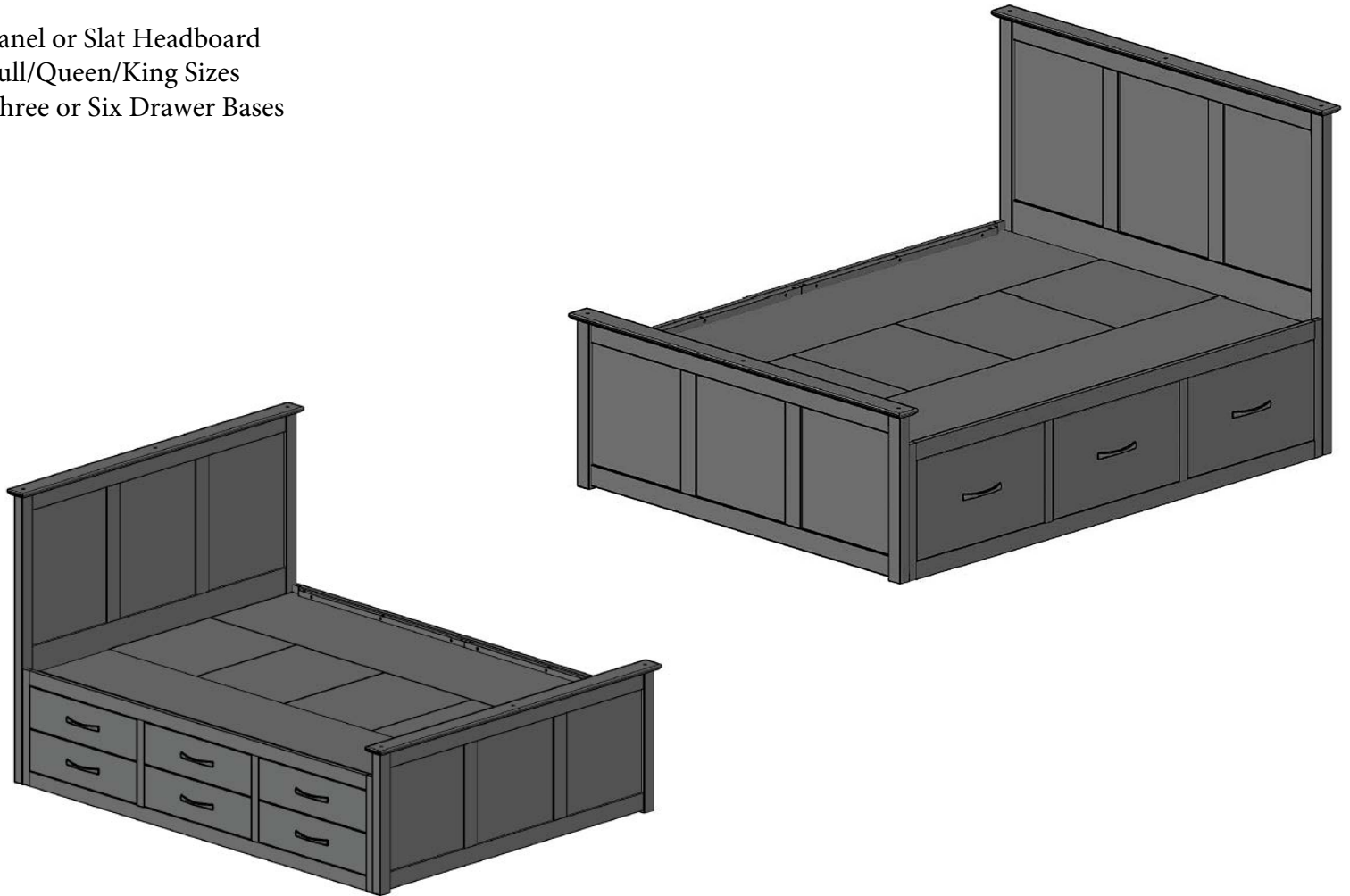


Urban Collection Bed Assembly Instructions

Panel or Slat Headboard
Full/Queen/King Sizes
Three or Six Drawer Bases



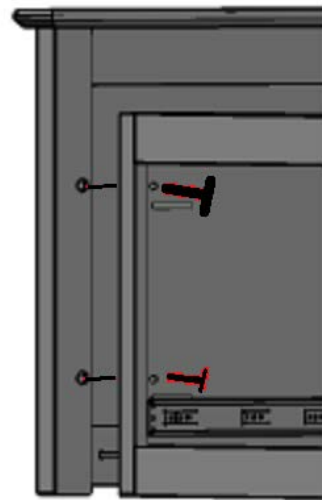
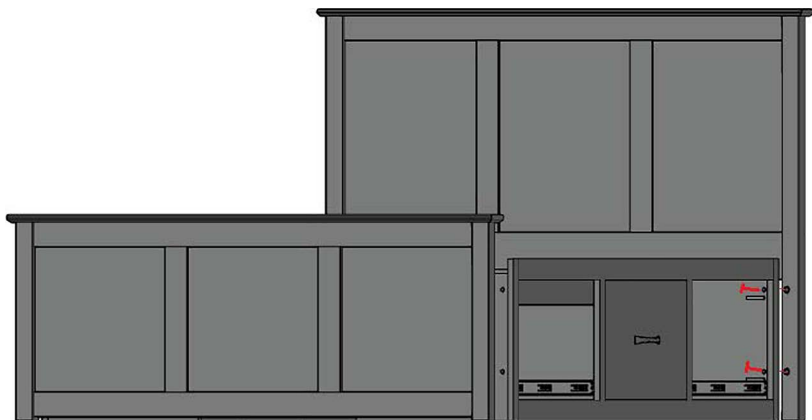
To remove drawers, there is a black tab on both sides of the drawer slides, when installed, pull drawer out completely, there is a window on each side to access the removal tab, press the right side down and the right hand side tab presses up to remove drawer, pull drawer out of slides.



When reinstalling the drawers, make sure to pull the ball bearing slide all the way to the front of the slide, push drawer into base slides until they click and lock into place.

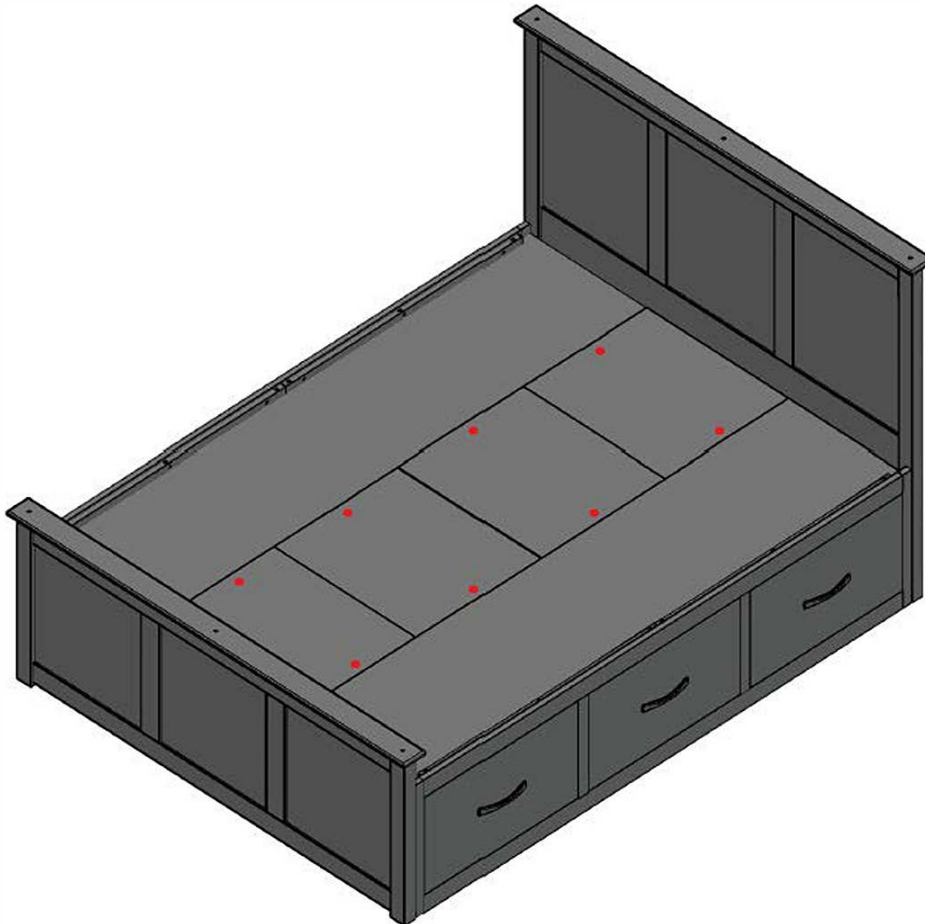


- 1.) Start by removing the drawers from each end of the bed base, pull drawer all the way out, on the slides you will find tabs to release the drawer, left hand tabs pull up and right hand side tab presses down to release, remove drawers completely.
- 2.) Align the headboard with the bed base and insert two bronze bolts into the holes of the bed base into the headboard, tighten with included allen wrench until snug. Repeat on both bed bases. Repeat the same process for the footboard.



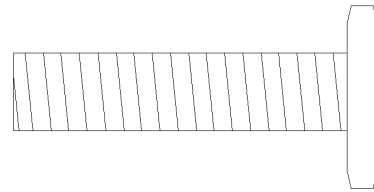
3.) Place all four base panels into the space between the bed boxes, screw two wood screws into each panel into the bed box bases.

4.) Reinstall all drawers by pulling the ball bearings all the way forward in the base slides, pushing the drawer in until you hear the locks click into place. Bed assembly is now complete.

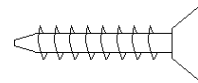


Urban Bed Hardware Kit:

(8) Bronze Bolts



(8) Wood Screws



(1) Allen Key

