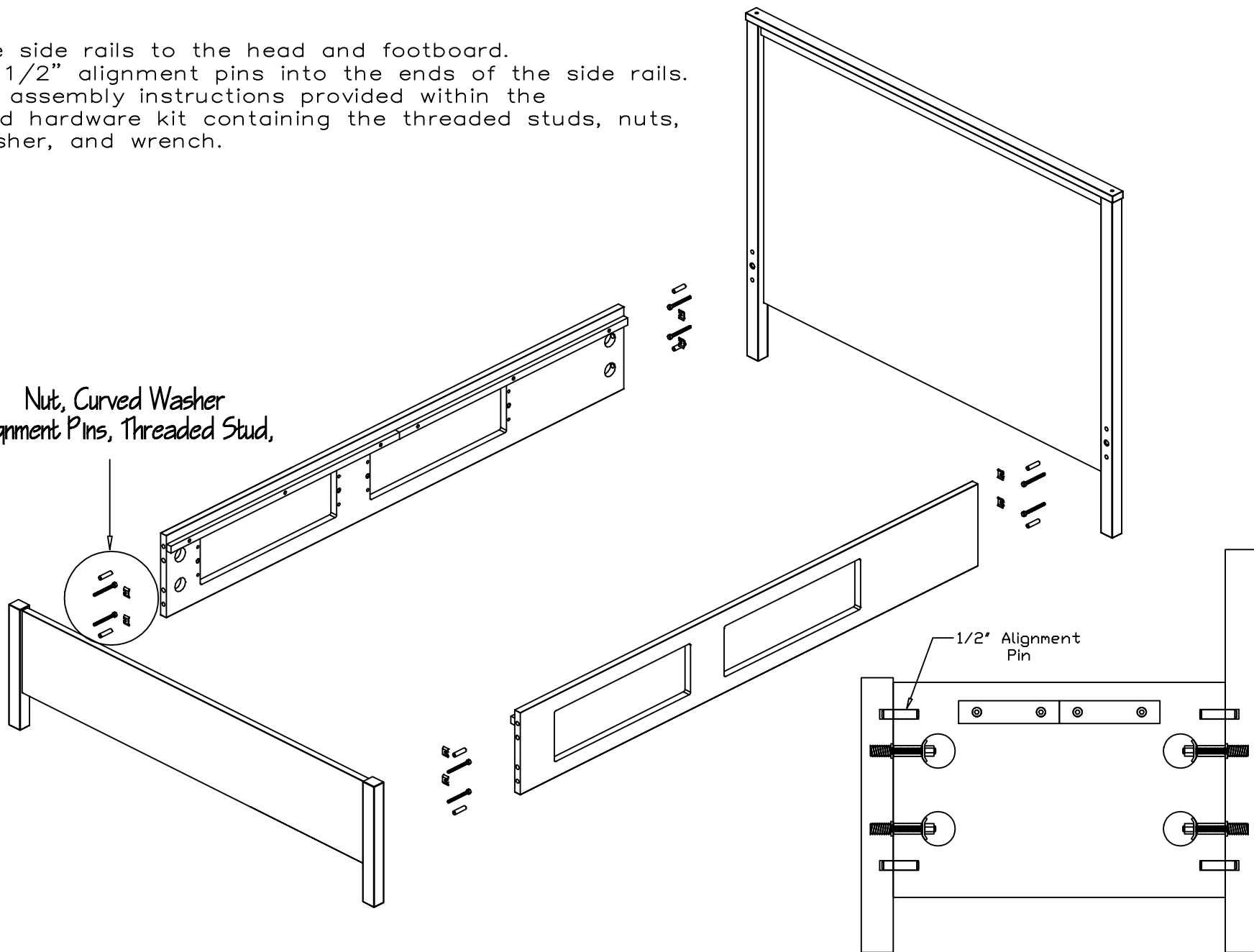


Storage Bed Assembly

Step 1

Attach the side rails to the head and footboard. Insert the 1/2" alignment pins into the ends of the side rails. Follow the assembly instructions provided within the pre-bagged hardware kit containing the threaded studs, nuts, curved washer, and wrench.

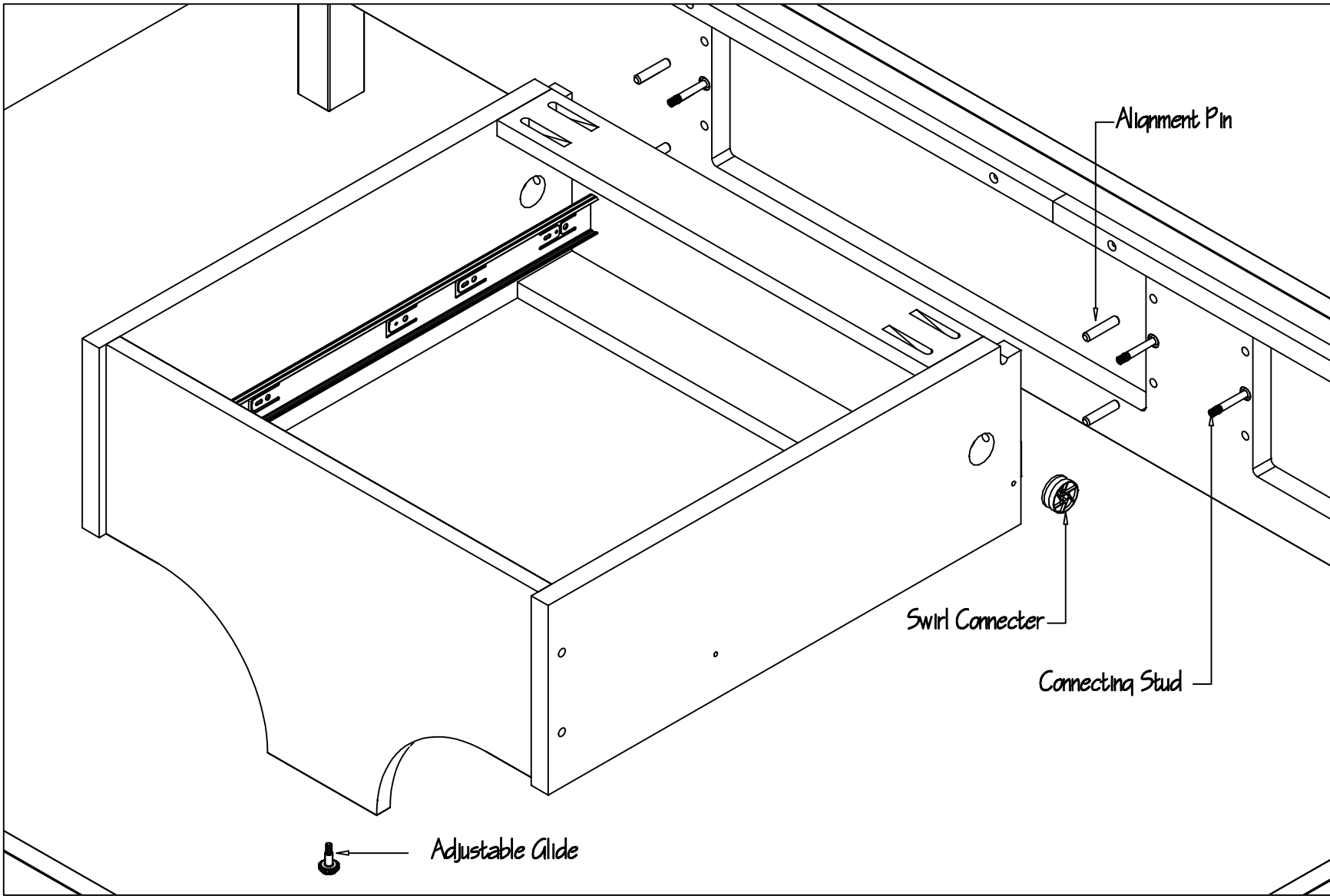
Nut, Curved Washer
Alignment Pins, Threaded Stud,



Storage Bed Assembly

Step 2

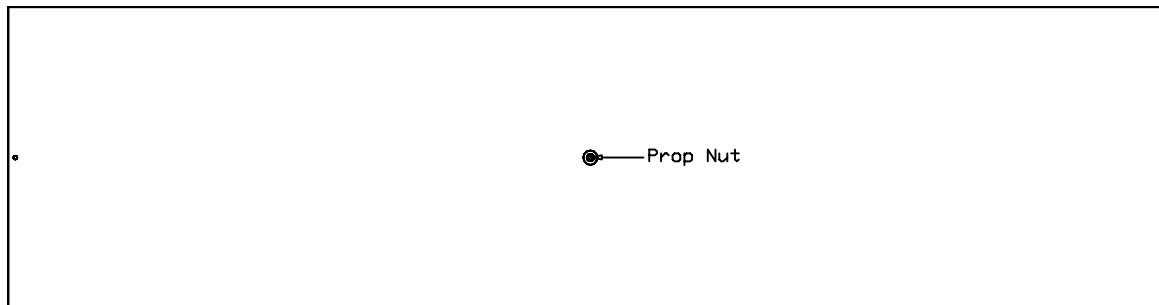
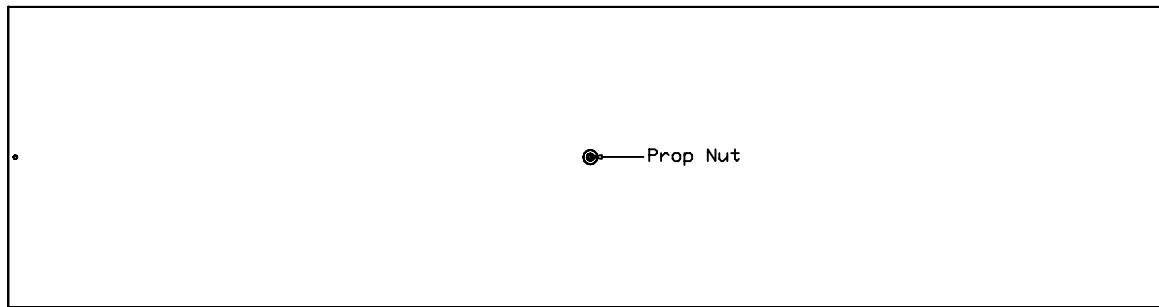
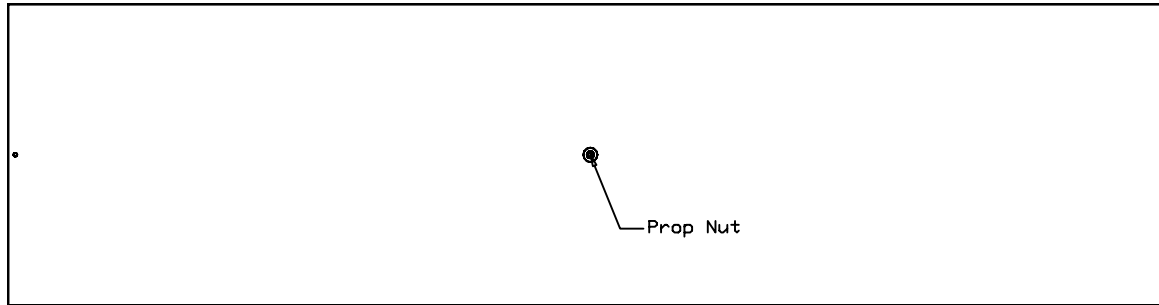
Attach the drawer boxes to the side rails.
Remove the drawers from the drawer box unit.
Insert the 3/8" alignment pins into the sides of the drawer box. Install the swirl connector into the side of the box unit with the alignment arrow on the side of the connector facing the connecting stud.
Thread the connecting studs into the factory installed inserts.
Slide the drawer box onto the connecting studs. Rotate the swirl connector with the allen wrench to secure the drawer boxes to the side rails.
Level the drawer boxes by turning the adjustable glides.



Storage Bed Assembly

Step 3

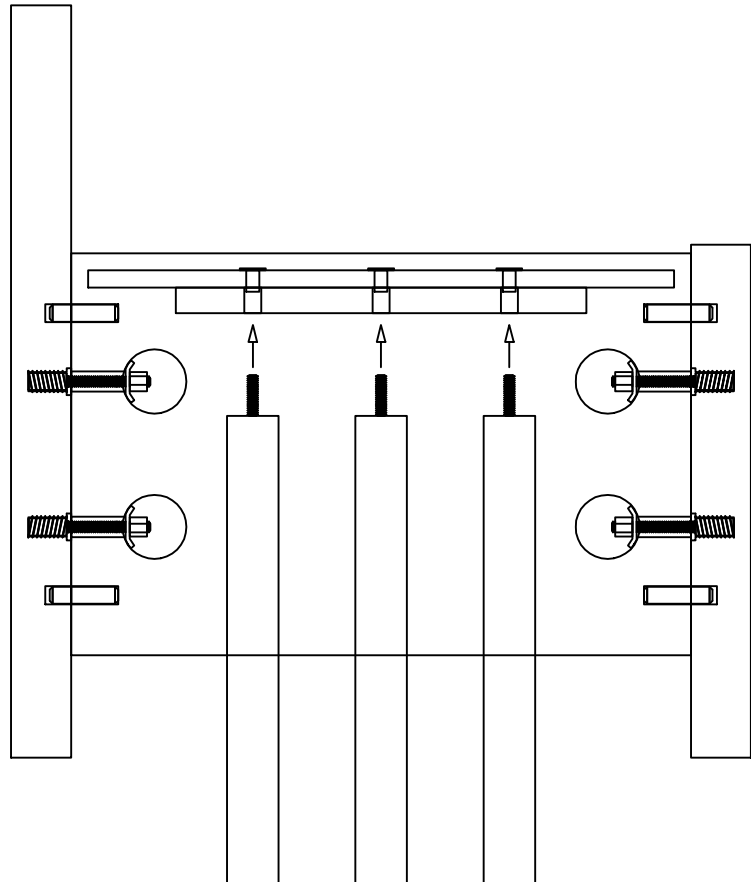
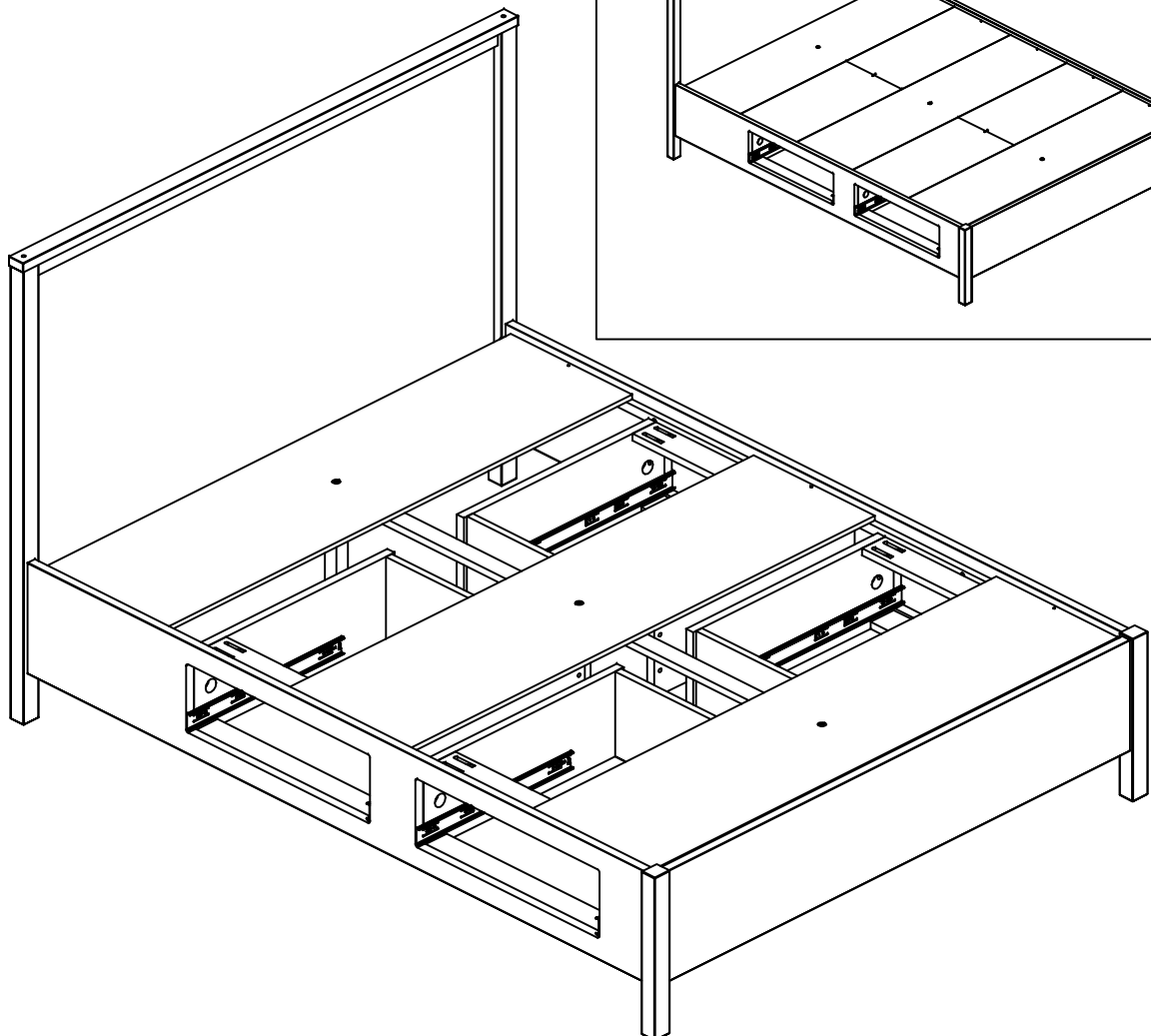
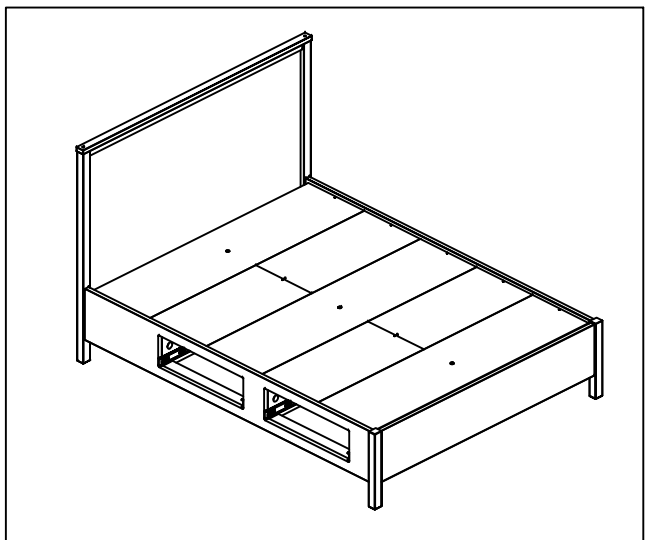
Install the prop nuts into the bed bottoms by tapping gently with a hammer.



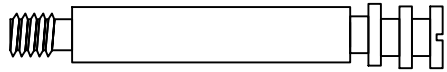
Storage Bed Assembly

Step 4

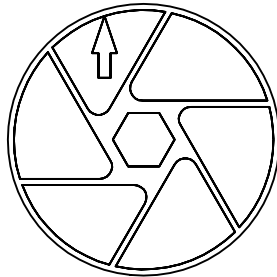
Lay the outer two bed bottoms in place.
An extra person to help with the next step would be a great idea.
Place the support rail on the bottom side of the bed bottom. Align the hole in the support rail with the prop nut in the bed bottom.
Thread the support legs through the holes in the support rail and into the prop nuts in the bed bottoms.
Install the center bed bottom the same way as the ends.
Place the four remaining bottom panels in place and attach all the bottom panels to the side rails and the center support with 1" flat head screws



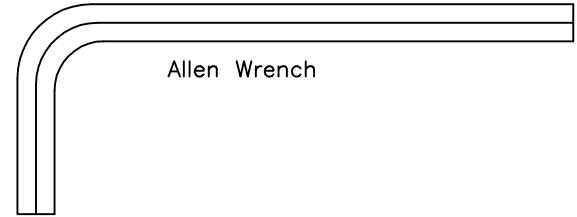
Storage Bed Hardware List



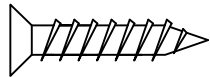
Connecting Stud



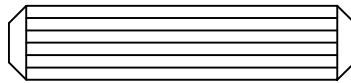
Swirl Connector



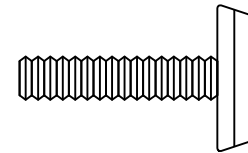
Allen Wrench



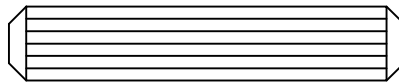
1" Flat Head Screw



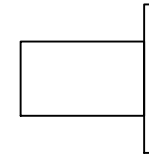
3/8" Alignment Pin



Adjustable Glide



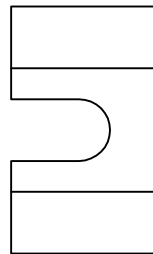
1/2" Alignment Pin



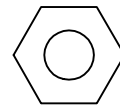
Prop Nut



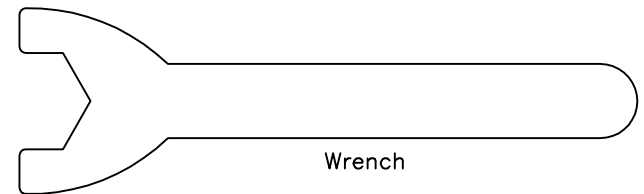
Threaded Stud



Curved Washer



Hex Nut



Wrench