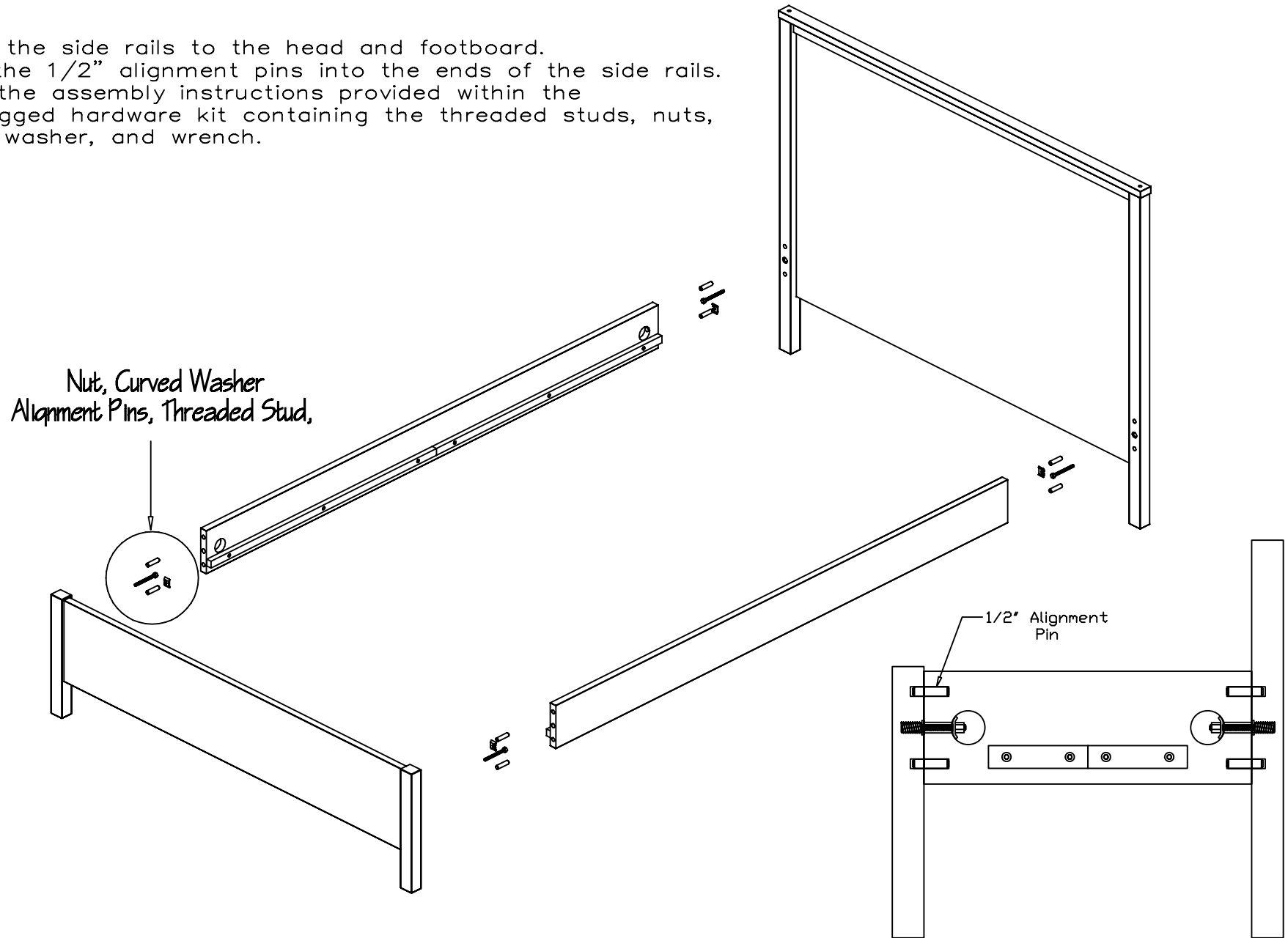


# Bed Assembly

## Step 1

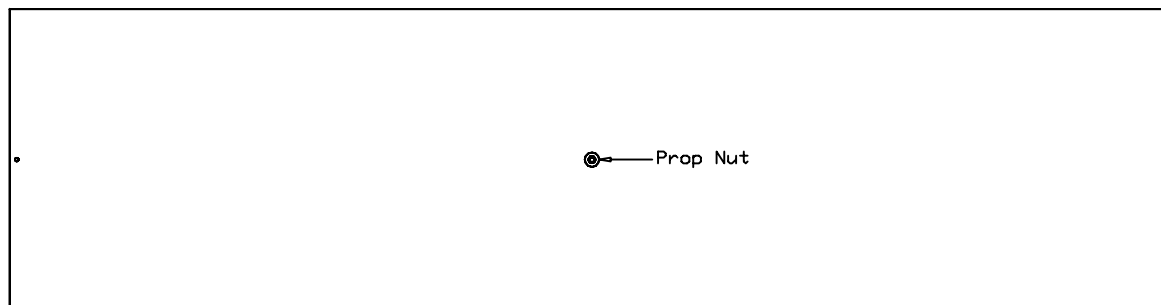
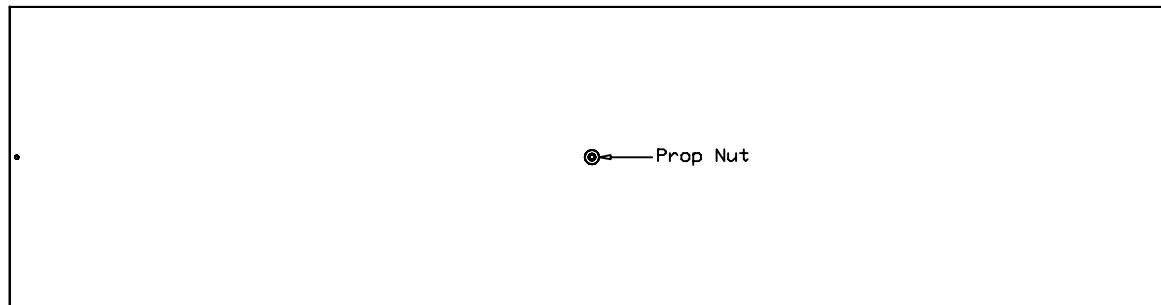
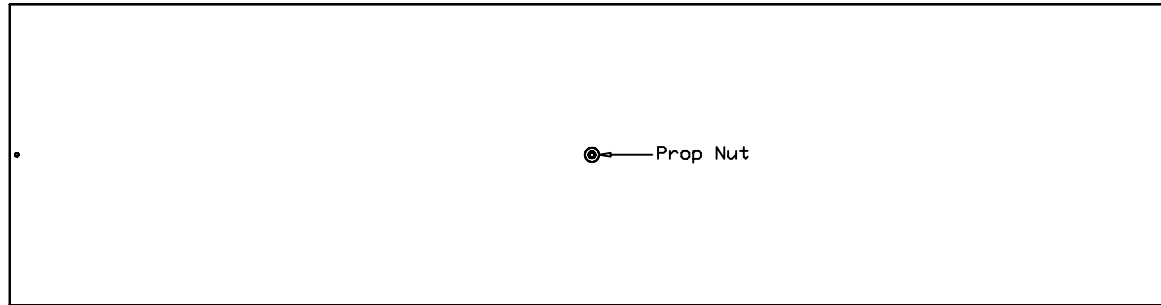
Attach the side rails to the head and footboard. Insert the 1/2" alignment pins into the ends of the side rails. Follow the assembly instructions provided within the pre-bagged hardware kit containing the threaded studs, nuts, curved washer, and wrench.



# Bed Assembly

## Step 2

Install the prop nuts into the bed bottoms by tapping gently with a hammer.



# Bed Assembly

## Step 3

Lay the outer two bed bottoms in place.

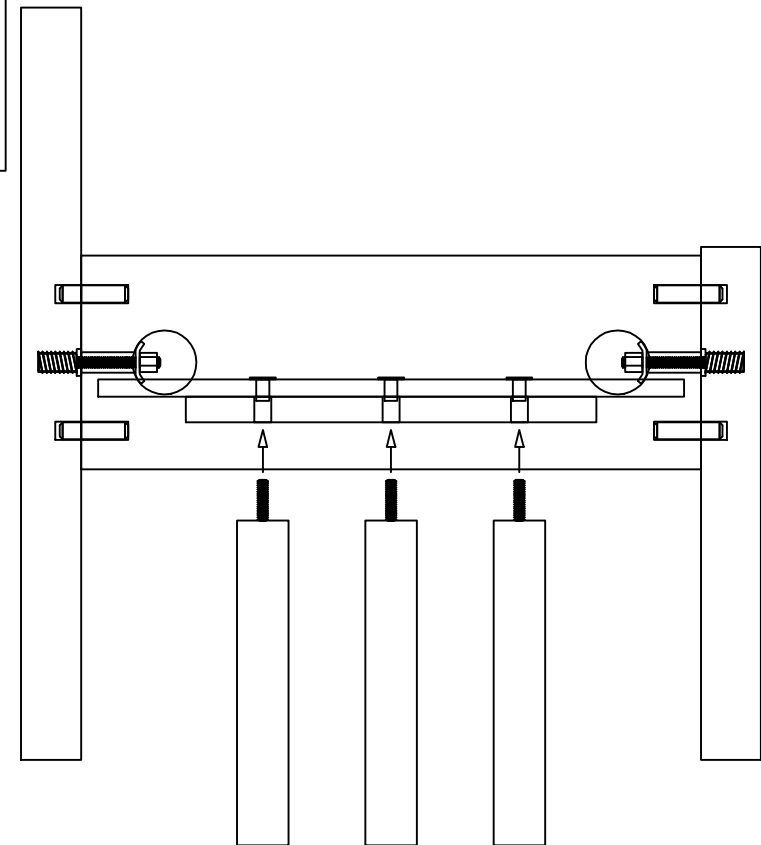
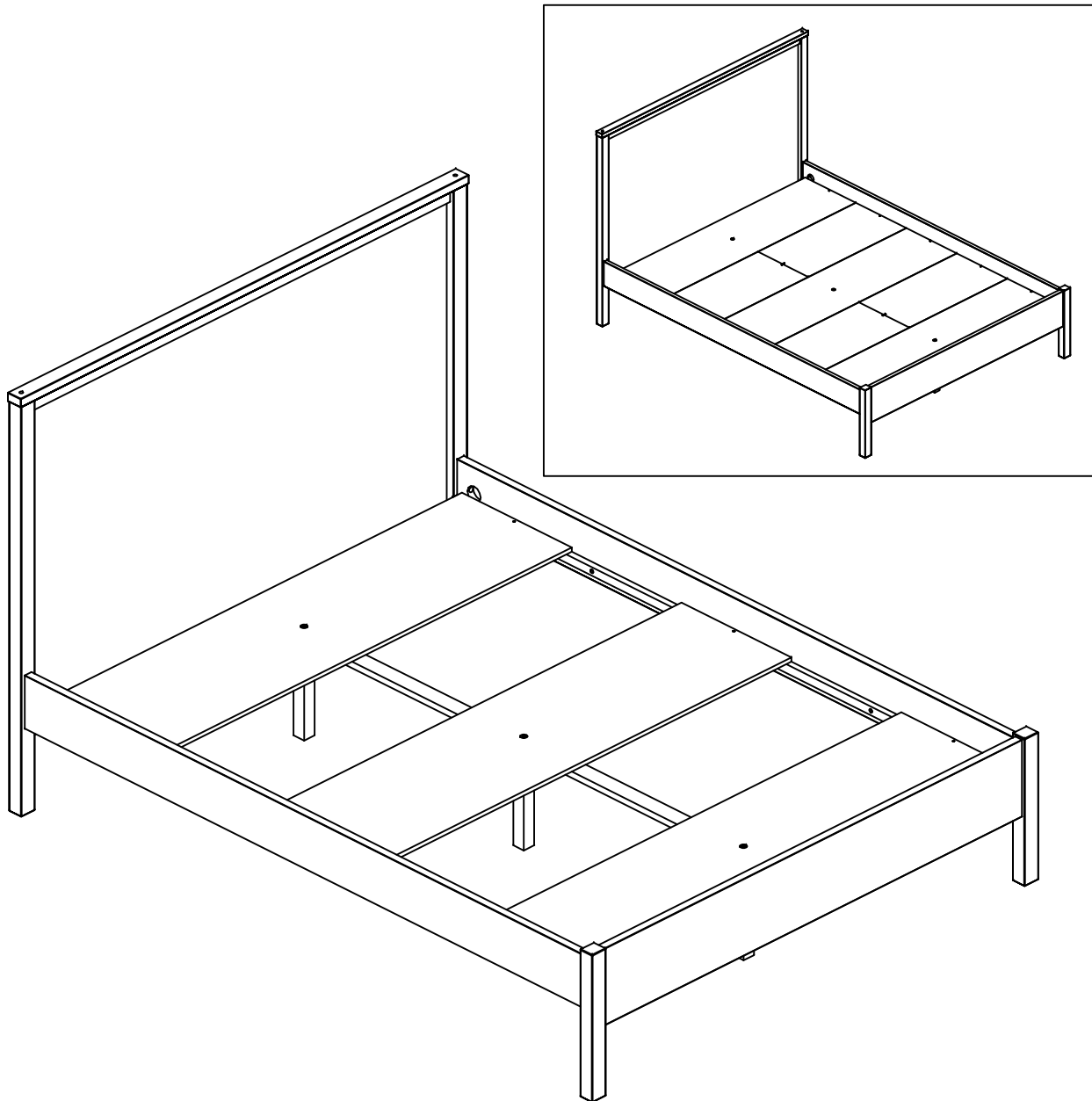
An extra person to help with the next step would be a great idea.

Place the support rail on the bottom side of the bed bottom. Align the hole in the support rail with the prop nut in the bed bottom.

Thread the support legs through the holes in the support rail and into the prop nuts in the bed bottoms.

Install the center bed bottom the same way as the ends.

Place the four remaining bottom panels in place and attach all the bottom panels to the side rails and the center support with 1" flat head screws

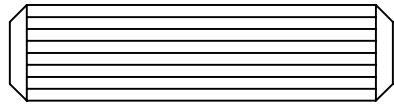


# Hardware List

---



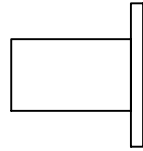
1" Flat Head Screw



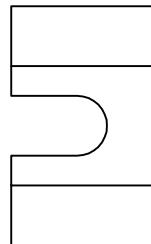
1/2" Alignment Pin



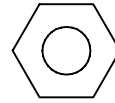
Threaded Stud



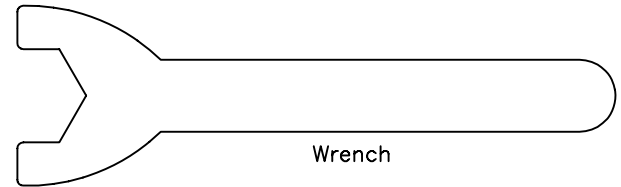
Prop Nut



Curved Washer



Hex Nut



Wrench